

INSTALLATION INSTRUCTIONS

Rev. 2

MODEL NO. 82861

Hardware Kit #112818

APPLICATION:

2009 Dodge Ram 1500 P/U
 2003-08 Dodge Ram 1500 P/U, (Built after 11/02)
 2003-Current Dodge Ram 2500 & 3500 HD P/U

WARNING

Although this hitch is designed to safely tow its rated load, we recommend that you consult your vehicle owner's manual for possible manufacturer's recommendations or limitations. Always follow the manufacturer's installation instructions and always install on the specified vehicle. Before installing hitch, check that the attachment points are in good condition.

Failure to follow these guidelines will void warranty. Any modifications to this hitch will void warranty.

CLASS IV

WEIGHT CARRYING HITCH CAPACITY

**6000 LBS. MAXIMUM TRAILER WEIGHT
 600 LBS. MAXIMUM TONGUE WEIGHT**

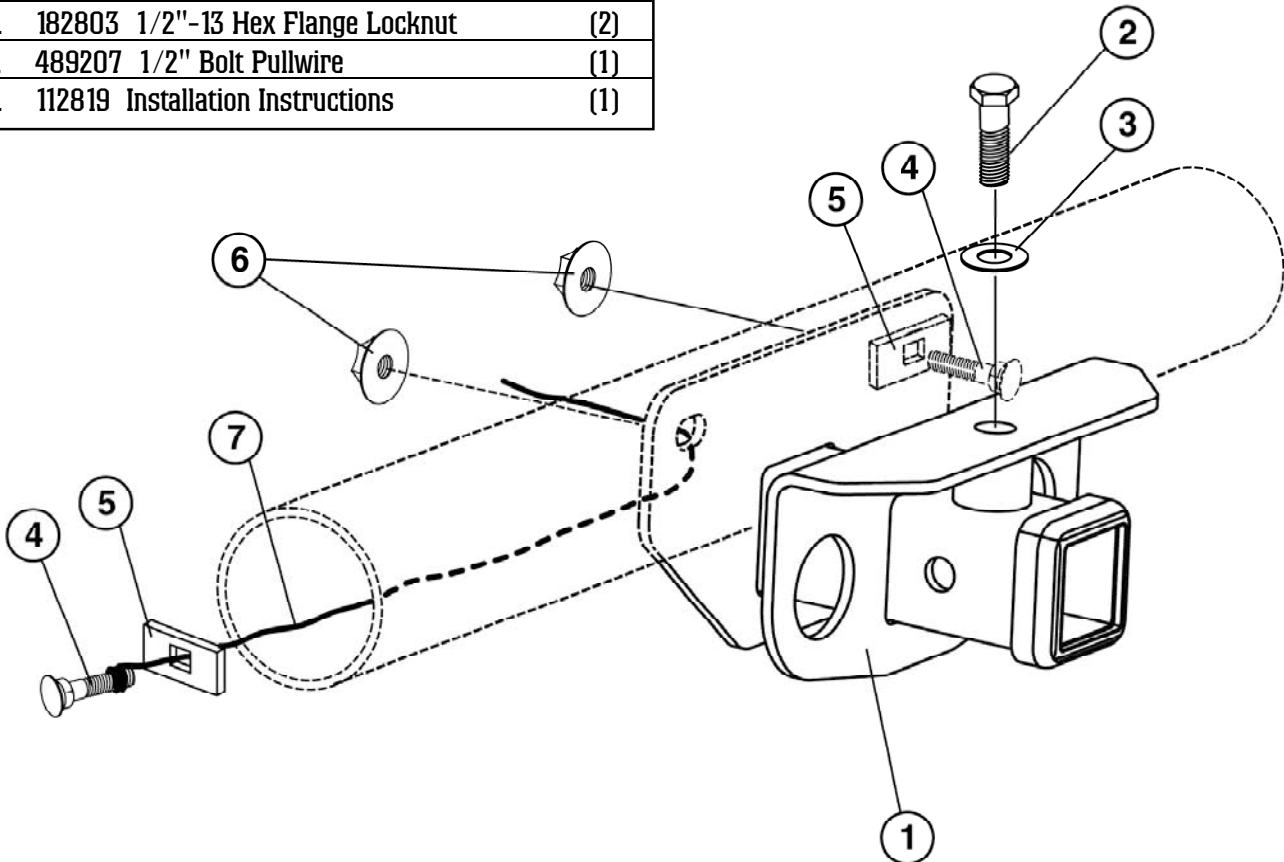
WEIGHT DISTRIBUTING HITCH CAPACITY

**12,000 LBS. MAXIMUM TRAILER WEIGHT
 1200 LBS. MAXIMUM TONGUE WEIGHT**

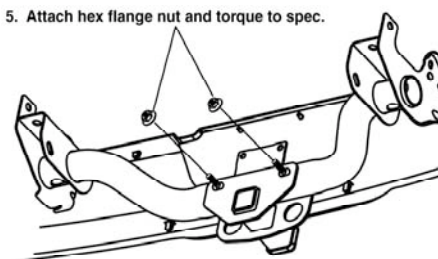
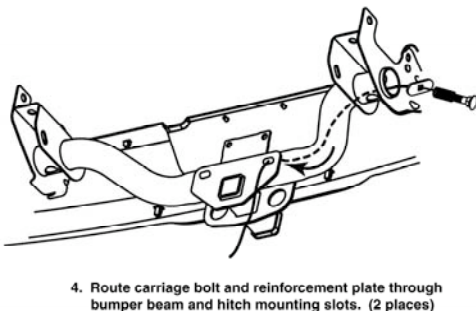
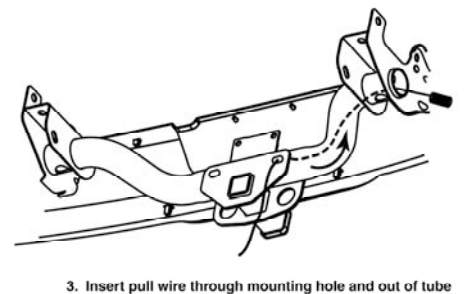
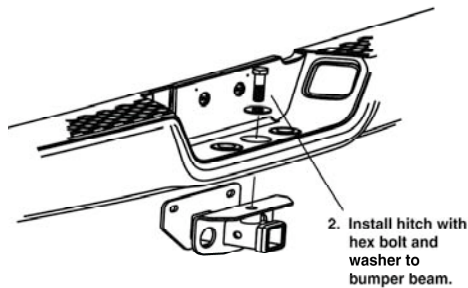
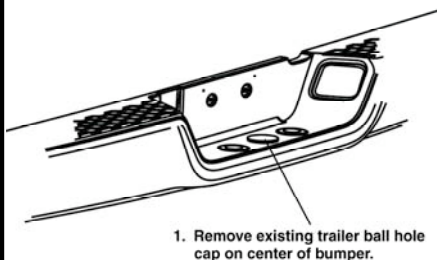
Trailer brakes are recommended for towing loads in excess of 1500 lbs.

COMPLETE PARTS LIST

Part	Description	Quantity
1.	286111 Hitch Assembly	(1)
<i>HARDWARE KIT #112818</i>		
2.	112674 3/4"-10 X 3" Hex Cap Bolt	(1)
3.	185006HFB 3/4" Wide Flatwasher	(1)
4.	157901 1/2"-13 x 1-1/2" Carriage Bolt	(2)
5.	141703 Reinforcement Spacer	(2)
6.	182803 1/2"-13 Hex Flange Locknut	(2)
7.	489207 1/2" Bolt Pullwire	(1)
8.	112819 Installation Instructions	(1)



1. Remove existing trailer ball hole cap on center of bumper.
2. Install hitch with 3/4"-10 X 3" Hex Cap Bolt #2 and 3/4" Wide Flatwasher #3 to bumper beam.
3. Insert pull wire through mounting hole and out of tube end.
4. Attach 1/2"-13 x 1-1/2" Carriage Bolt #4 and Reinforcement Spacer #5 to pull wire #7 and route through bumper beam and hitch mounting slots. (2 places)
5. Attach 1/2"-13 Hex Flange Locknut #6.
6. Tighten 3/4"-10 X 3" Hex Cap Bolt #2 to 260 ft. lbs. torque and 1/2"-13 x 1-1/2" Carriage Bolt #4 to 75 ft. lbs. torque.



WARNING: Use only a 5/8" diameter hitch pin with locking device to secure a ball mount in this receiver.

WARNING: Be sure to check the hitch pin and hair pin for positive locking placement before towing trailer.

NOTE: When hitch is not being used, remove ball mount from receiver and place the receiver cover into receiver opening.

NOTE: Some states require a clear view of license plates. Remove trailer ball and/or ball mount when not in use if it restricts view.

For information regarding the installation of this product, go to: www.towingsupport.com
or Email us at: tech@towingsupport.com or Call our Technical Support Team at: 1-800-344-3230

This product complies with regulation V-5, C.S.A Standard D-264 and safety requirements for connecting devices
and towing systems of the State of New York