

MSD[®] IGNITION INSTALLATION INSTRUCTIONS

Digital 2-Step PN 8732

For the Digital 6AL Ignition Control, PN 6425

ONLINE PRODUCT REGISTRATION: Register your MSD product online. Registering your product will help if there is ever a warranty issue with your product and helps the MSD R&D team create new products that you ask for! Go to www.msperformance.com/registration.

Parts Included:

- 1 – Control
- 4 – Mounting Screws

WARNING: During installation, disconnect the battery cables. When disconnecting the battery, always remove the negative cable first and install it last.

Note: Must be used with an MSD Digital 6AL Ignition, PN 6425.

OPERATION

The Digital 2-Step Control is designed specifically for the MSD Digital 6AL Ignition Control, PN 6425. It provides the ability to set an rpm limit to be used during the launch of the vehicle through a switch or tied into a line-lock device or trans-brake.

There is a Blue wire coming out of the 2-Step, that controls when the launch rpm limit is activated. When this wire is connected to 12 volts, the 2-Step is activated. When released, the rpm limit that is set in the Digital 6AL Ignition is active. This wire can be tied into a trans-brake circuit, a clutch switch or simply a stand alone switch.

RPM LIMIT

The rpm limit is set with the two rotary dials, in 100 rpm increments. The limit can be programmed from 2,000 rpm to 11,800 rpm. (The position for 11,900 is reserved for use with MSD's Power Grid ignition system.)

LED

There is a useful LED built into the Digital 2-Step. This LED will illuminate when 12 volts are applied to the Blue wire and the low rpm limit of the 2-Step is active. When 12 volts are removed from the Blue wire the 2-Step rev limit and the LED will turn off.

3-STEP

If you prefer to have three different rev limits, a second PN 8732 could be used to provide a third rev limit, such as for use during the burnout.

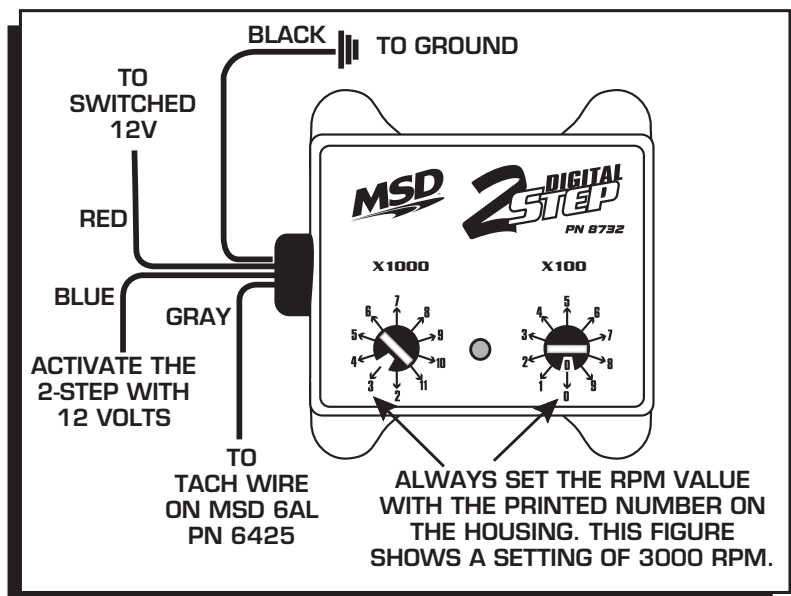


Figure 1

MOUNTING

It is suggested to mount the unit within easy reach for adjustments. The Control can be mounted under the hood but should be away from direct engine heat sources. Make sure the wiring reaches the connections and mark the mounting holes. Use an 1/8" bit to drill mounting holes and mount the unit.

WIRING

WIRING	
Red	Power. Connect to a switched 12 volts.
Black	Ground. Connect to ground.
Blue	Launch RPM Activation wire. When connected to 12 volts the launch rpm value is active.
Gray	Tach Signal. Connect to the Gray Tach Output wire of the MSD PN 6425.

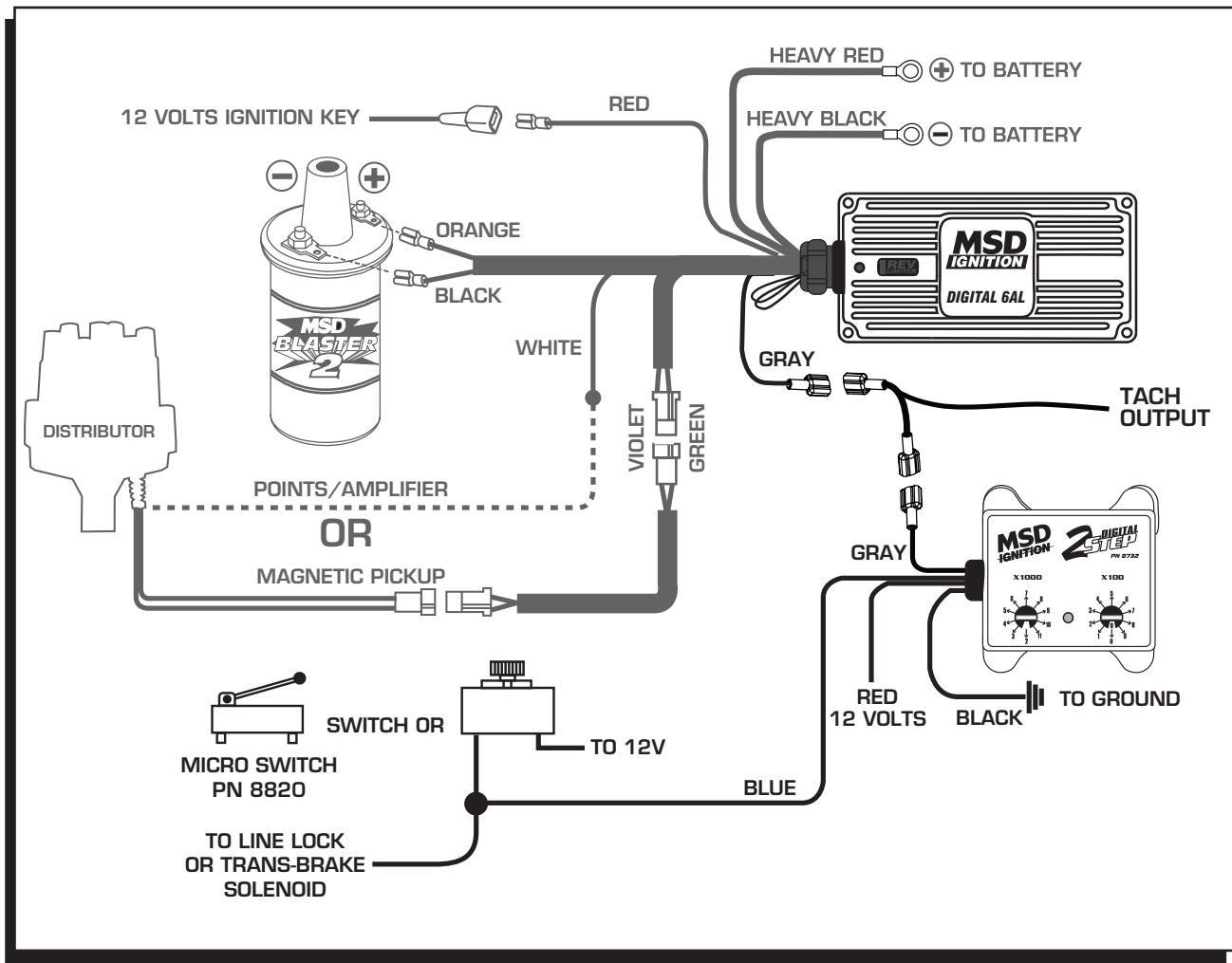


Figure 2 Wiring the Control with an MSD Digital 6AL Ignition Control.

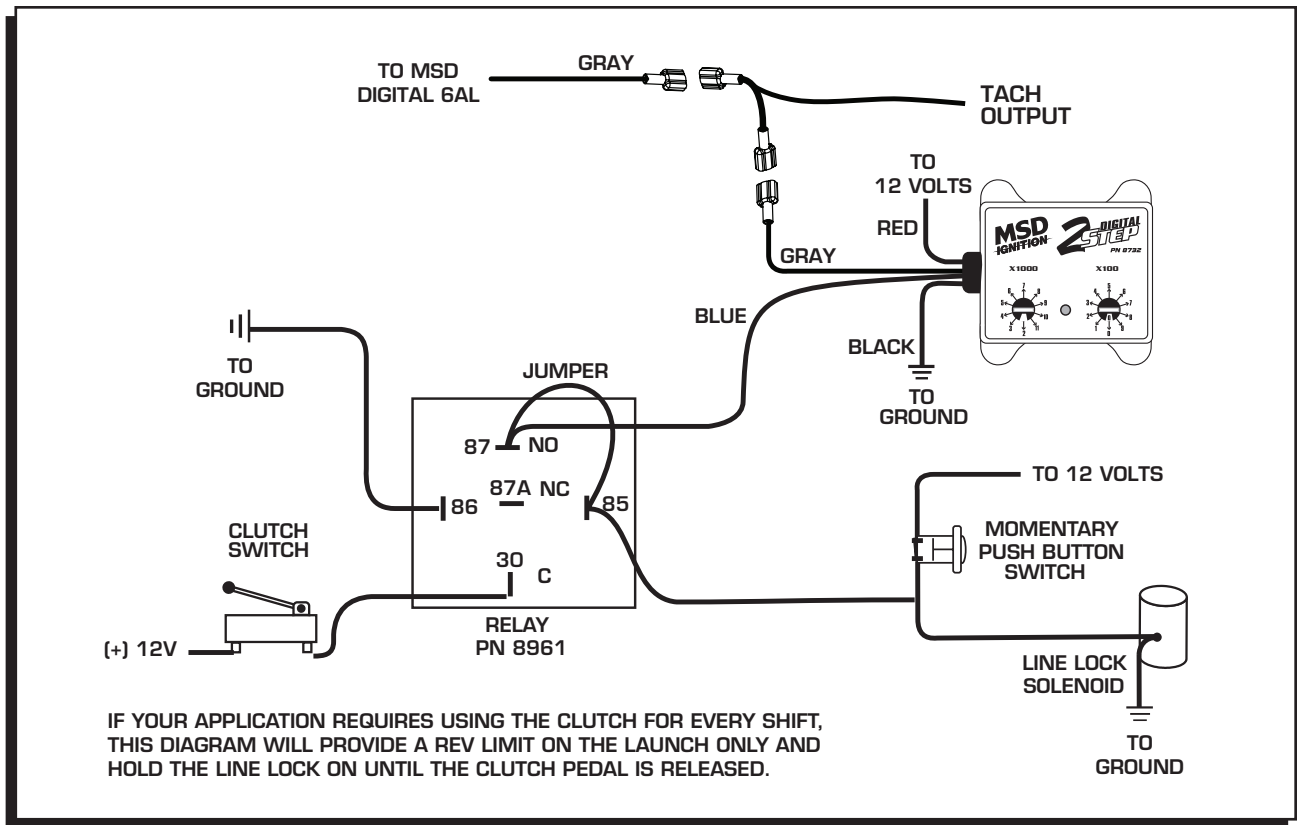


Figure 3 Wiring the Digital 2-Step to a Latching Relay.

WIRE TAP INSTALLATION

1. Insert male end cup into wire to be spliced.
3. Hand tighten barrel into male end cup.
3. Strip wire approximately 3/8" (10mm).
4. Insert wire into male end exposing only bare wire.
5. Hand tighten male end to barrel.

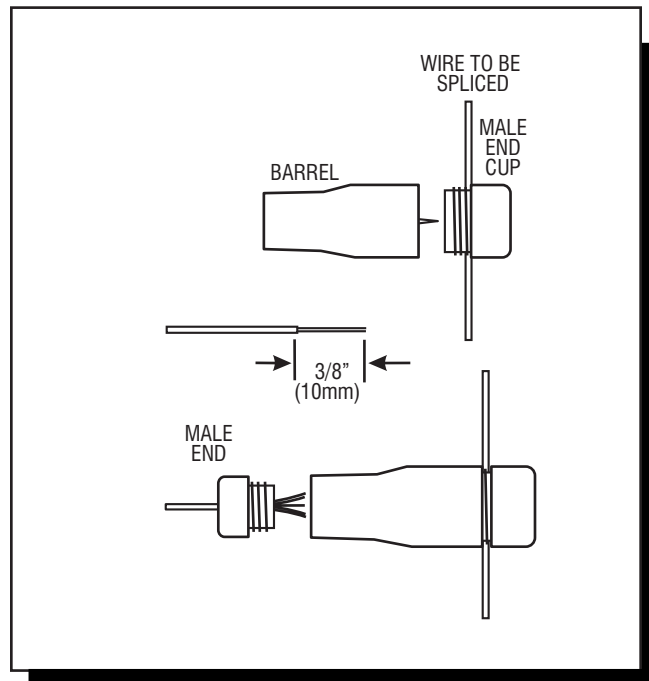


Figure 4 Wire Tap.



INSTALLATION INSTRUCTIONS

TECH NOTES

Service

In case of malfunction, this MSD component will be repaired free of charge according to the terms of the warranty. When returning MSD components for warranty service, **Proof of Purchase** must be supplied for verification. After the warranty period has expired, repair service is based on a minimum and maximum fee.

All returns must have a Return Material Authorization (RMA) number issued to them before being returned. To obtain an RMA number please contact MSD Customer Service at 1 (888) MSD-7859 or visit our website at www.msdpower.com/rma to automatically obtain a number and shipping information.

When returning the unit for repair, leave all wires at the length in which you have them installed. Be sure to include a detailed account of any problems experienced, and what components and accessories are installed on the vehicle. The repaired unit will be returned as soon as possible using Ground shipping methods (ground shipping is covered by warranty). For more information, call MSD at (915) 855-7123. MSD technicians are available from 7:00 a.m. to 5:00 p.m. Monday - Friday (mountain time).

Limited Warranty

MSD warrants this product to be free from defects in material and workmanship under its intended normal use*, when properly installed and purchased from an authorized MSD dealer, for a period of one year from the date of the original purchase. This warranty is void for any products purchased through auction websites. If found to be defective as mentioned above, it will be repaired or replaced at the option of MSD. Any item that is covered under this warranty will be returned free of charge using Ground shipping methods.

This shall constitute the sole remedy of the purchaser and the sole liability of MSD. To the extent permitted by law, the foregoing is exclusive and in lieu of all other warranties or representation whether expressed or implied, including any implied warranty of merchantability or fitness. In no event shall MSD or its suppliers be liable for special or consequential damages.

*Intended normal use means that this item is being used as was originally intended and for the original application as sold by MSD. Any modifications to this item or if it is used on an application other than what MSD markets the product, the warranty will be void. It is the sole responsibility of the customer to determine that this item will work for the application they are intending. MSD will accept no liability for custom applications.